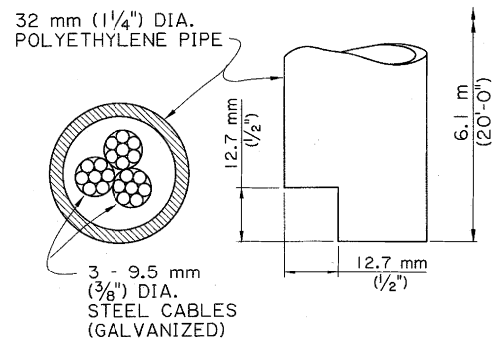


- ALTERNATE LOCATION AND MATERIAL ARE SUBJECT TO THE APPROVAL OF THE DEPARTMENT.
- * THE LOUVERED VENTS SHALL BE LOCATED ON THE TOP AND BOTTOM OF THE DOOR AND ON THE TWO SIDES OF THE CABINET.

SIDE VIEW

CABINET DETAILS

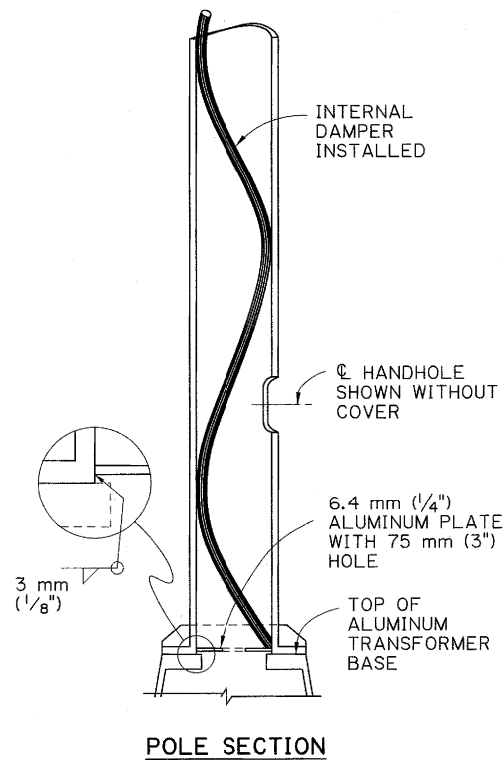
FRONT VIEW



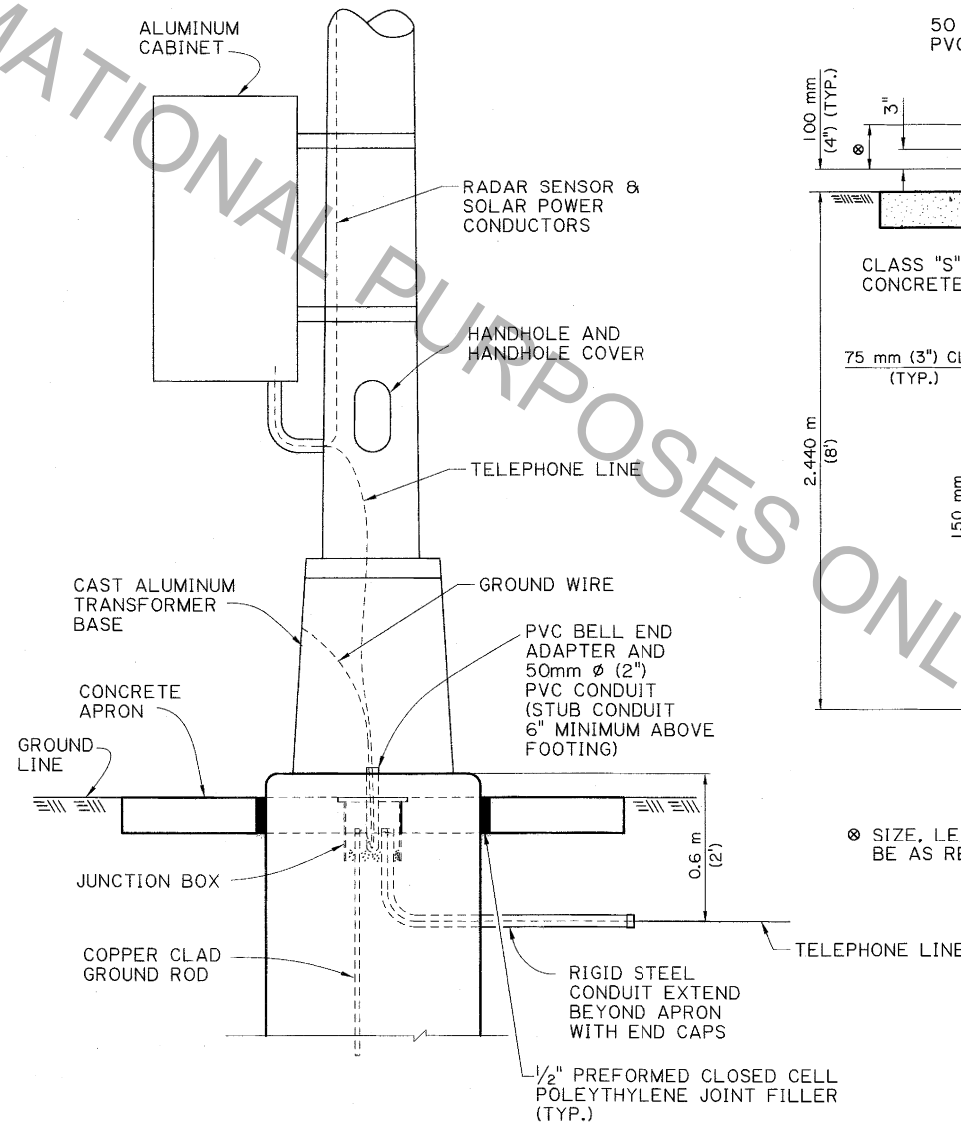
SECTION

NOTCH DETAIL

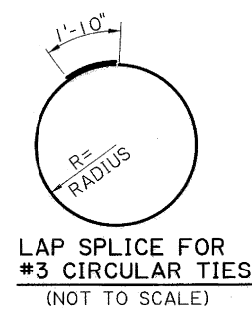
INTERNAL DAMPER DETAILS



POLE SECTION

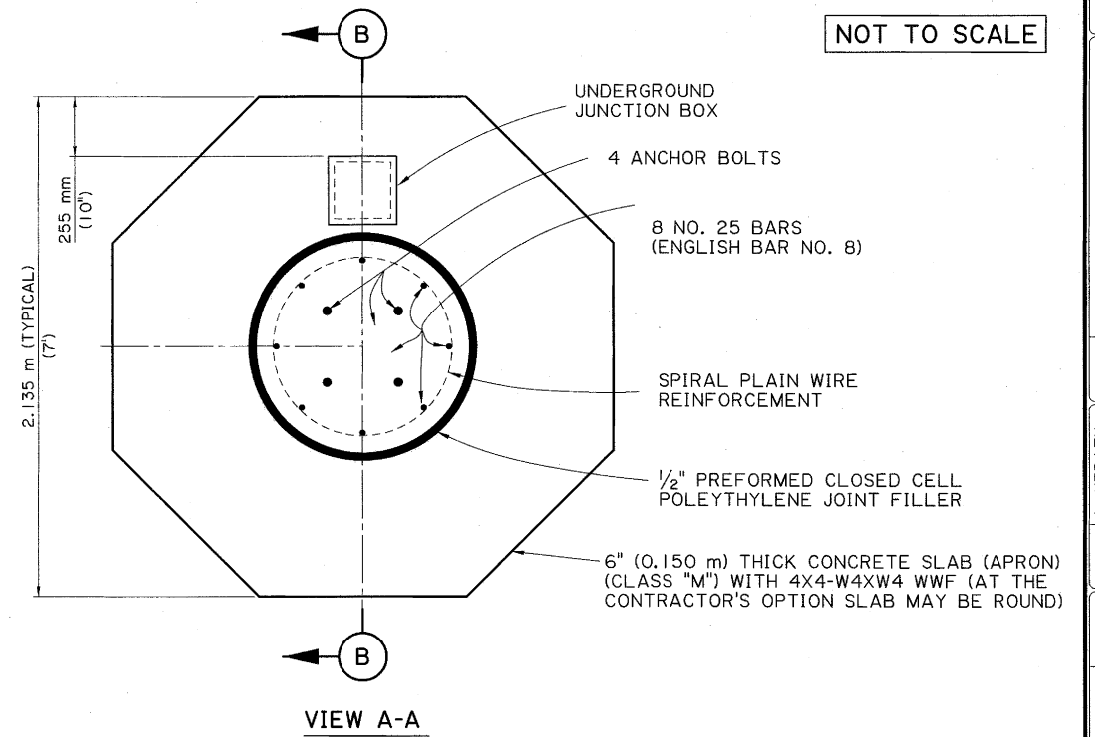


PARTIAL FOOTING DETAIL

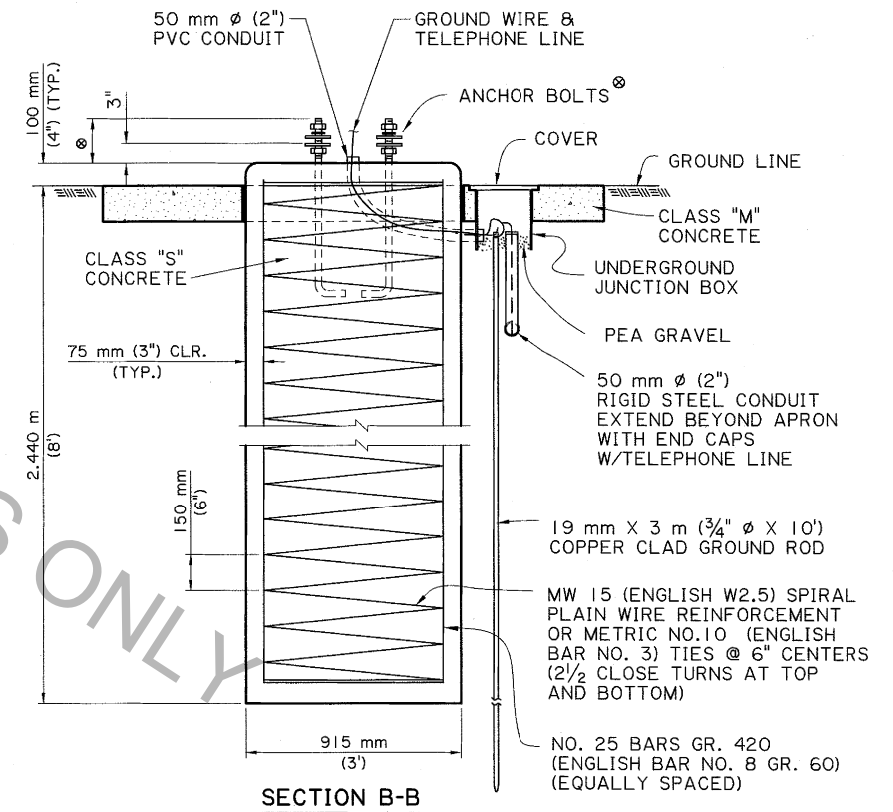


NOTE: SPIRAL BARS MAY BE SPLICED 1/2 TURNS MINIMUM, AS REQUIRED.

THE SPLICE LOCATIONS FOR BOTH SPIRAL BARS AND #3 CIRCULAR TIES SHALL BE ALTERNATED.



NOT TO SCALE



• SIZE, LENGTH, AND SPACING OF ANCHOR BOLTS SHALL BE AS RECOMMENDED BY THE POLE MANUFACTURER.



Ananda H. Herath
03/20/2017



George E. Chike
3/20/2017

SHEET NUMBER	PROJECT
DESIGNED BY: A. HERATH	CONTROL SECTION: A. HERATH
CHECKED BY: G. CHIKE	REVIEWED BY: K. BRAUNER
DATE: 03/20/2017	SERIES # 12 OF 2
NO.	DATE
REVISION OR CHANGE ORDER DESCRIPTION	BY
TRAFFIC RECORDER SYSTEM	DOTD BRIDGE DESIGN
BD.2.7.6.0.02	